

SPARE PARTS EXPLODED VIEW GAS WALL BOILERS

Model

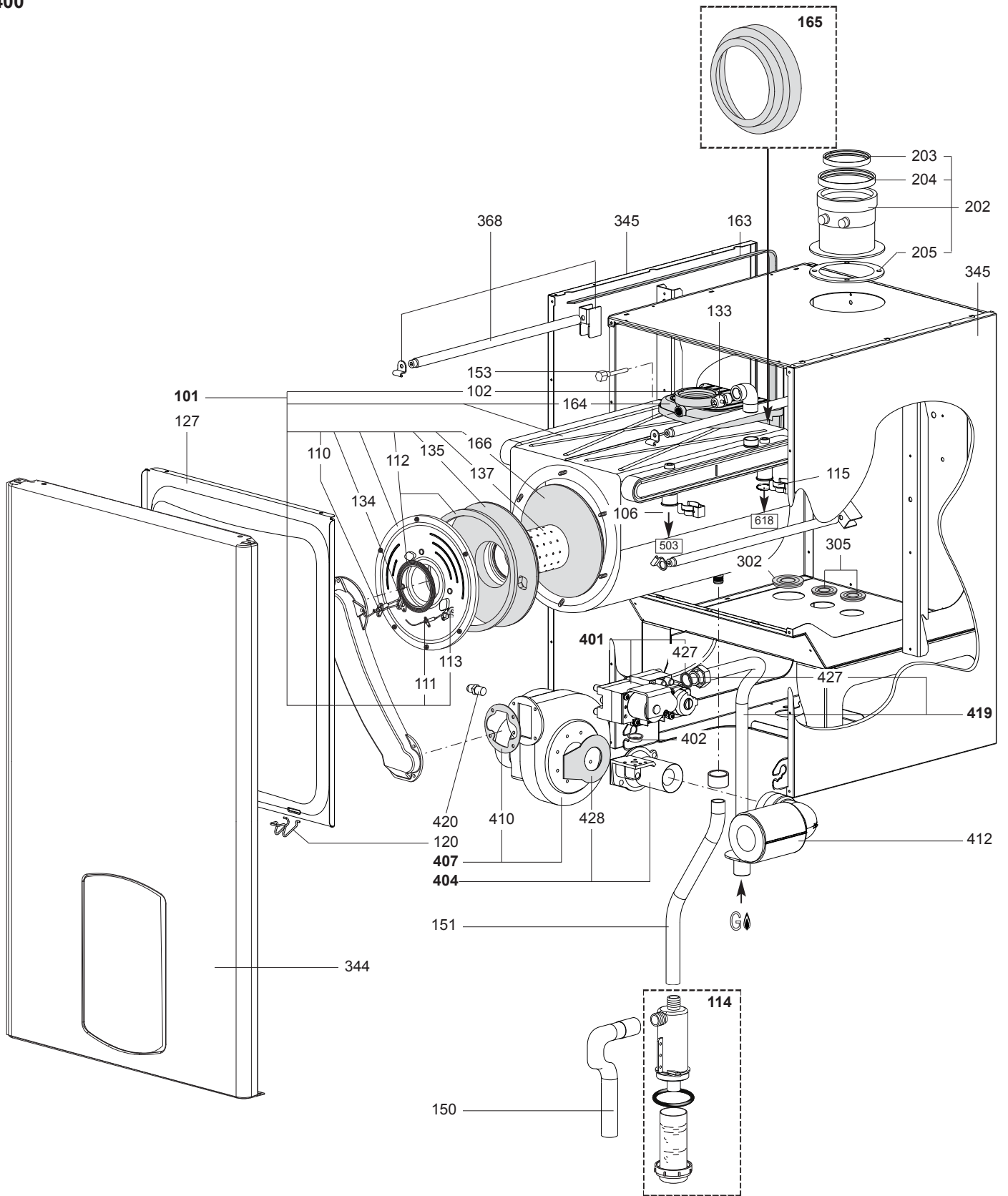
TALIA GREEN SYSTEM HP

R8216281-06 - 20/03/2012

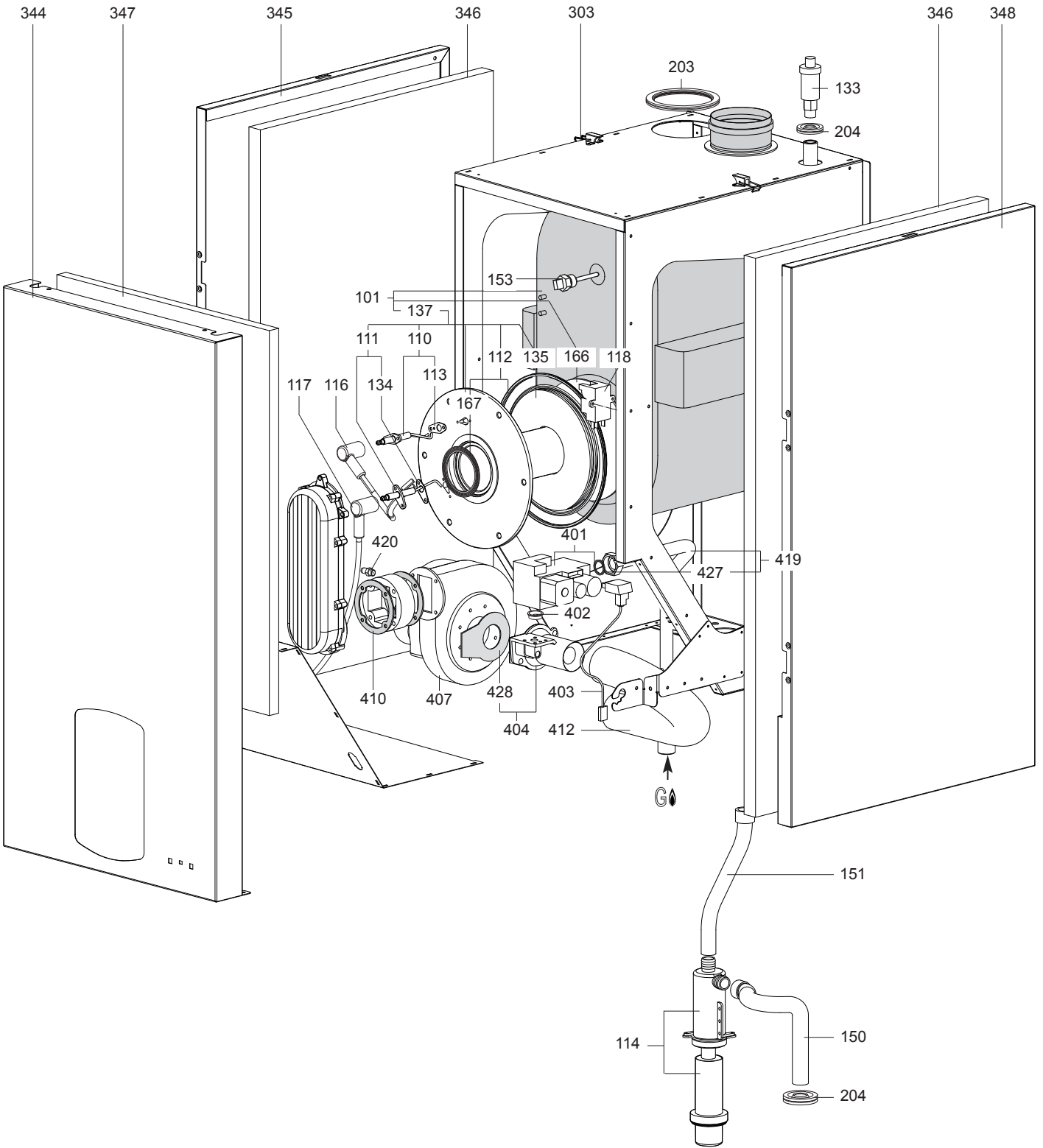
EN	FR	IT	ES	DE
-----------	-----------	-----------	-----------	-----------

1	3580768	TALIA GREEN HP 45KW IT/FR	11/08	...
1	3581093	TALIA GREEN SYSTEM HP 45KW
2	3580769	TALIA GREEN HP 65KW IT/FR	11/08	...
2	3581094	TALIA GREEN SYSTEM HP 65KW
3	3580982	TALIA GREEN SYSTEM HP 85KW	02/10	...
3	3581095	TALIA GREEN SYSTEM HP 85KW
4	3580983	TALIA GREEN SYSTEM HP 100KW	02/10	...
4	3581096	TALIA GREEN SYSTEM HP 100KW

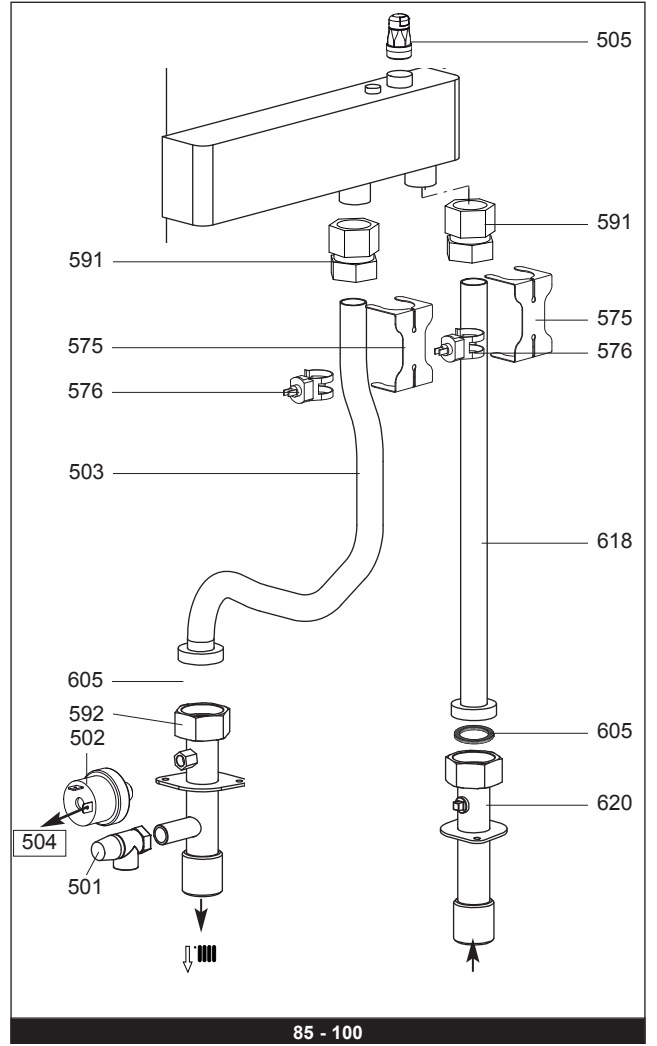
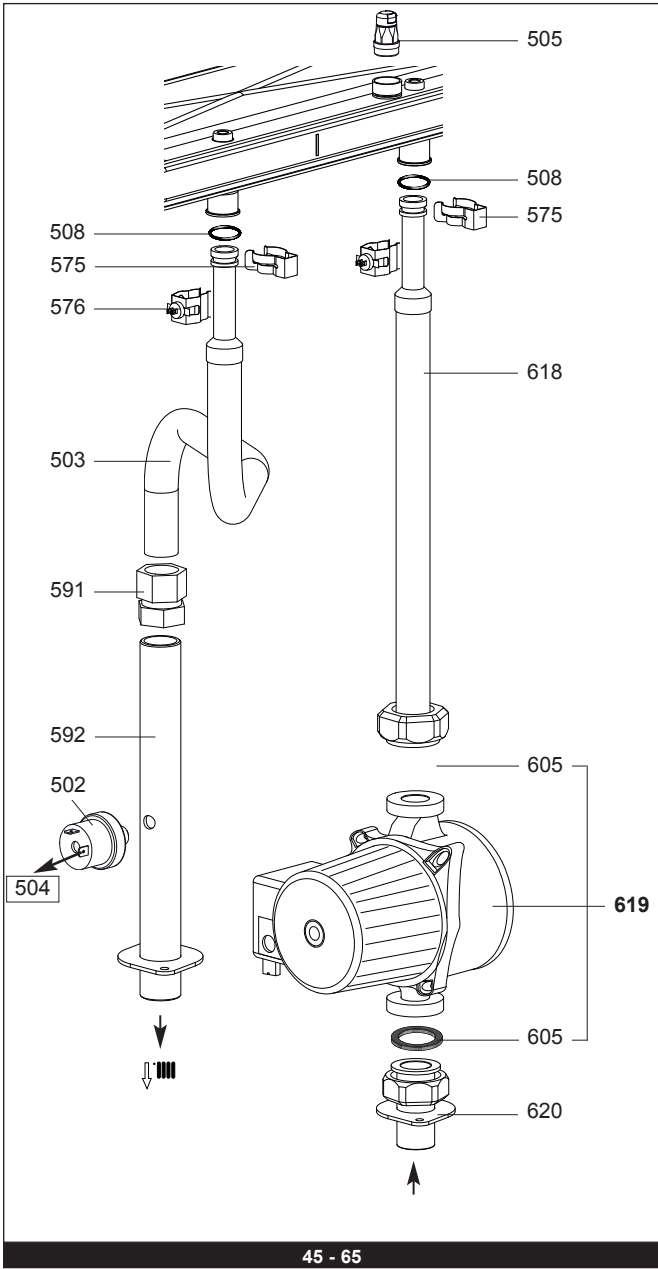
Col	Reference	Model type	Begin	End
-----	-----------	------------	-------	-----



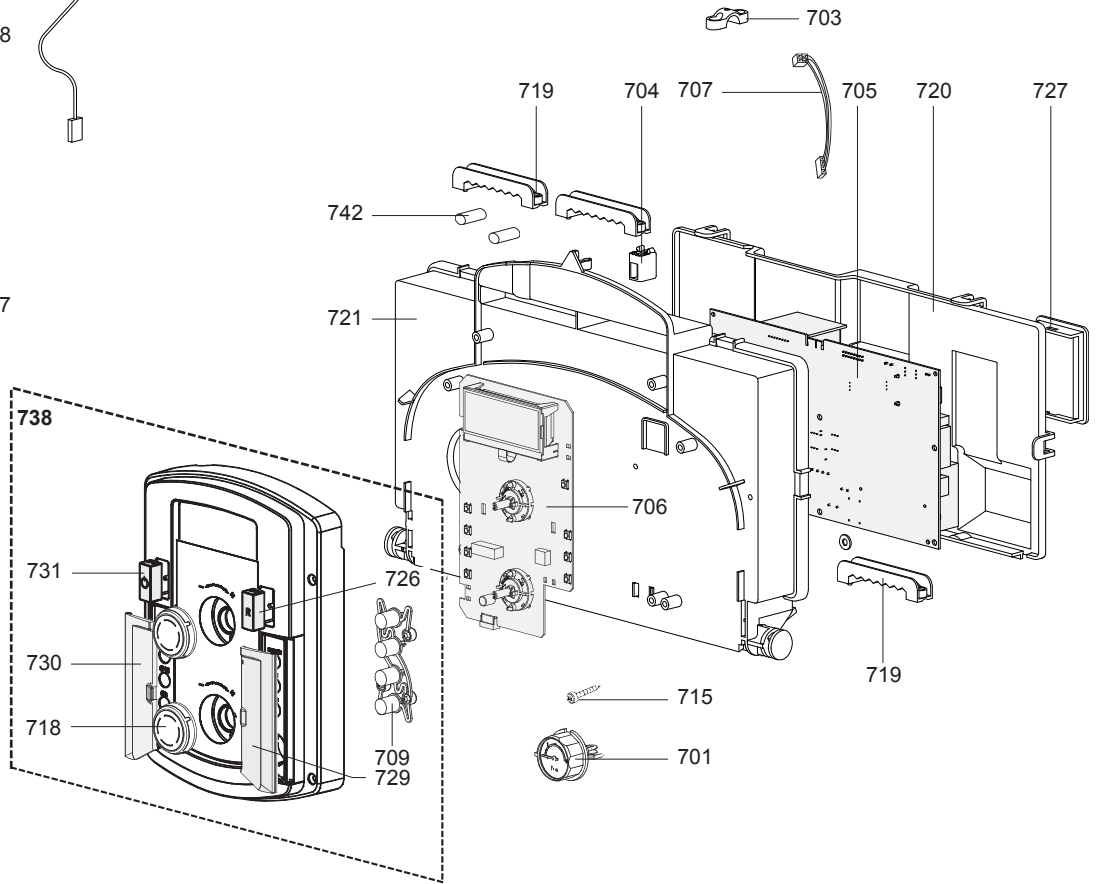
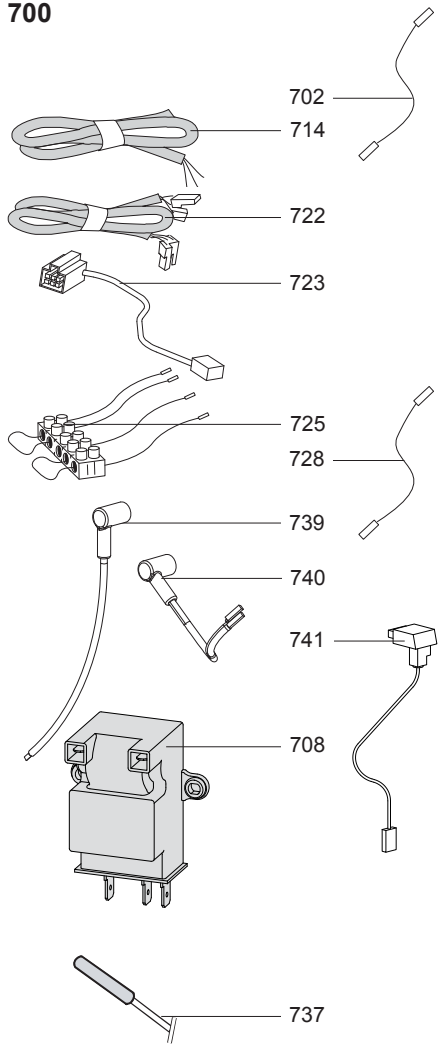
☉⇒	Description	Manf. Pt. N	Type	TALIA GREEN HP 45Kw TALIA GREEN HP 65Kw TALIA GREEN HP 85Kw TALIA GREEN HP 100Kw																	
				1	2	3	4	5	6	7	8	9	10	11	12	13	14	15	16	17	18
0100	BURNER ASSEMBLY																				
0101	HEAT EXCHANGER 45Kw	65107344		●																	
	HEAT EXCHANGER 65Kw	65107347			●																
0102	GASKET (/Heat exchanger)	64201775		●	●																
0106	O RING D:39.45-1.788	65107364		●	●																
0110	IGNITION ELECTRODE	61317432		●	●																
0111	IONIZATION ELECTRODE	65107363		●	●																
0112	GASKET KIT BURNER DOOR DUO-Z	64201348		●	●																
0113	GASKET (ELECTRODE)	65103476		●	●																
0114	TRAP	64201332		●	●																
0115	CLIP	65107379		●	●																
0120	SPRING FRONT PANEL (KIT)	65107048		●	●																
0127	PANEL (FRONT - SEALED CHAMBER)	65105679		●	●																
0133	MANUAL AIR VENT	65107343		●	●																
0134	GASKET (ELECTRODE)	65103367		●	●																
0135	COMBUSTION CHAMBER LINING	64200501		●	●																
0137	BURNER 45Kw	65107367		●																	
	BURNER 65KW	65107368			●																
0150	DISCHARGE PIPE (CONDENSATE)	65107351		●	●																
0151	DISCHARGE PIPE (CONDENSATE)	65107352		●	●																
0153	FLUE GAS SENSOR	65107342		●	●																
0163	GASKET 12X3X20000 mm NEOPR.	12016166		●	●																
0164	EXCHANGER SUPPORT	65107366		●	●																
0165	EXCHANGER GASKET	65107365		●	●																
0166	COMBUSTION CHAMBER LINING	64200500		●	●																
0200	FAN ASSEMBLY																				
0202	ADAPTER	65107369		●	●																
0203	GASKET D:80	64201777		●	●																
0204	GASKET D:125	64201776		●	●																
0205	BLACK GASKET D:168-126-2	64201774		●	●																
0300	SEALED CASE																				
0302	GASKET	65107341		●	●																
0305	GASKET (/ Flue bend turret)	64200254		●	●																
0344	CASE PANEL (FRONT)	60000719		●	●																
0345	SIDE PANEL (L.H. SIDE)	65107362		●	●																
0368	FIXING KIT	65107349		●	●																
0400	GAS SECTION																				
0401	GAS VALVE	65000261		●	●																
0402	GASKET	12076699		●	●																
0404	VENTURI 65Kw	65000269			●																
	VENTURI 45Kw	65107345		●																	
0407	FAN ASSY	64280528			●																
	FAN ASSY	65107346		●																	
0410	GASKET	65000350		●	●																
0412	SILENCER	64200261		●	●																
0419	GAS PIPE 45Kw	65107357		●																	
	GAS PIPE 65KW	65107359			●																
0420	TEST POINT 1/8»	64211101		●	●																
0427	WASHER D:24-18-2	12013482		●	●																
0428	GASKET	64201334		●	●																



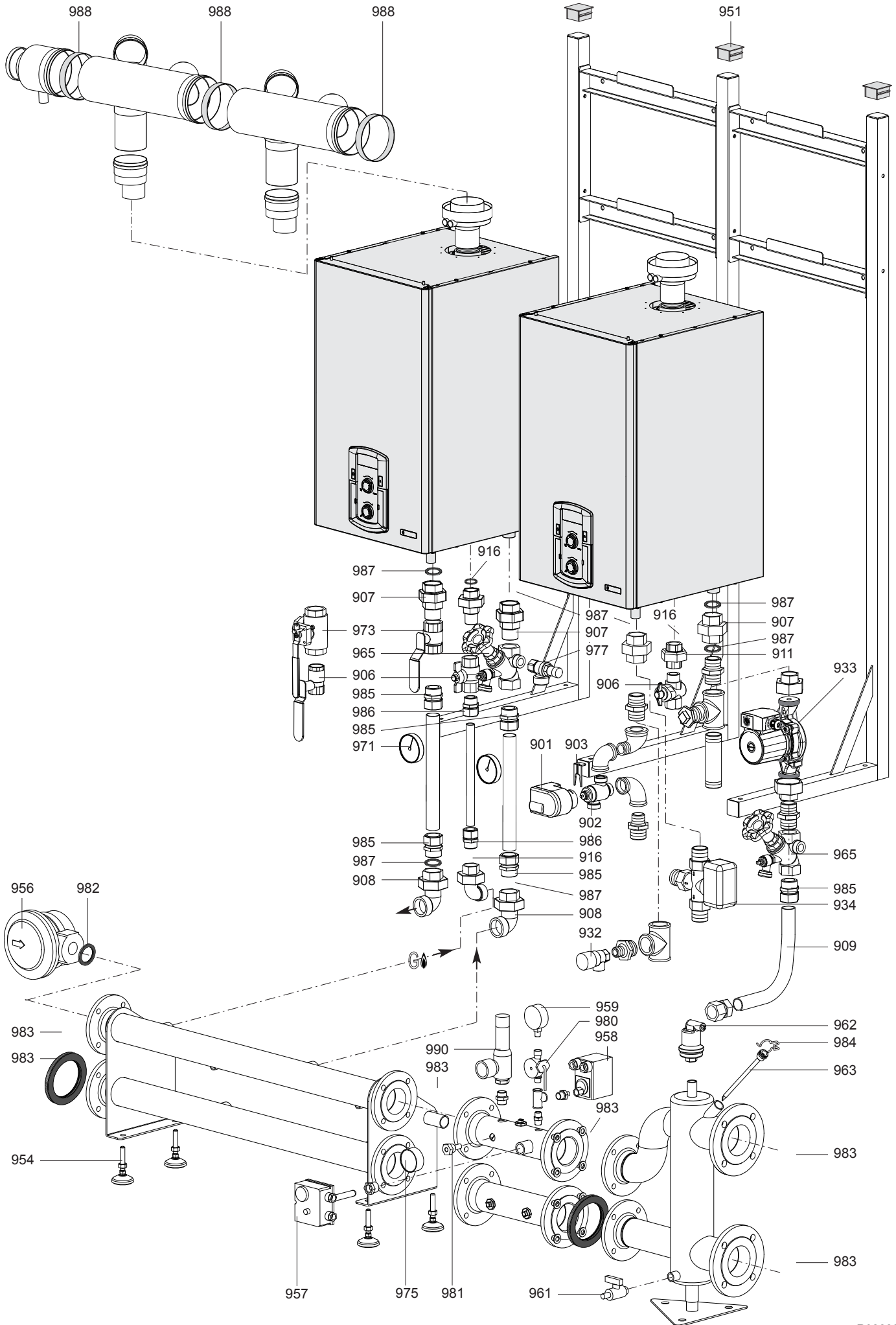
☉⇒	Description	Manf. Pt. N	Type	<div style="display: flex; justify-content: space-between; align-items: center;"> <div style="transform: rotate(-45deg); font-size: small;"> TALIA GREEN HP 25Kw TALIA GREEN HP 35Kw TALIA GREEN HP 55Kw TALIA GREEN HP 100Kw </div> <div style="border: 1px solid black; padding: 2px;">31</div> </div>																	
				1	2	3	4	5	6	7	8	9	10	11	12	13	14	15	16	17	18
0100	BURNER ASSEMBLY																				
0101	HEAT EXCHANGER 85Kw	64200245				●															
	HEAT EXCHANGER 100Kw	64201311					●														
0110	IGNITION ELECTRODE + GASKET	64201338				●	●														
0111	IONIZATION ELECTRODE+GASKET	64201339				●	●														
0112	GASKET KIT BURNER DOOR DUO-Z	64201348				●	●														
0113	GASKET IGNITION ELECTRODE	64200992				●	●														
0114	TRAP	64201332				●	●														
0116	ELECTRODE IGNITION CABLE	64201658				●	●														
0117	IONIZATION ELECTRODE CABLE	64201657				●	●														
0118	TRANSFORMER	64200565				●	●														
0133	AIR SEPARATOR	64200953				●	●														
0134	GASKET (ELECTRODE)	64200993				●	●														
0135	COMBUSTION CHAMBER LINING	64200501				●	●														
0137	DOOR ASSY	64201335					●														
	DOOR ASSY	64201337				●															
0150	DISCHARGE PIPE (CONDENSATE)	65107351				●	●														
0151	DISCHARGE PIPE (CONDENSATE)	65107352				●	●														
0153	FLUE GAS SENSOR	65107342				●	●														
0166	COMBUSTION CHAMBER LINING	64200500				●	●														
0167	GASKET	65000092				●	●														
0200	FAN ASSEMBLY																				
0203	GASKET	64200264				●	●														
0204	GASKET (/ Flue bend turret)	64200254				●	●														
0300	SEALED CASE																				
0303	FASTENER KIT SIDE PANEL	12077007				●	●														
0344	CASE PANEL (FRONT)	64201567				●	●														
0345	LEFT SIDE PANEL	65107907				●	●														
0346	INSULATION SIDE PANEL	64201652				●	●														
0347	INSULATION FRONT PANEL	64201651				●	●														
0348	RIGHT SIDE PANEL	65107906				●	●														
0400	GAS SECTION																				
0401	GAS VALVE	65000261				●	●														
0402	GASKET	12076699				●	●														
0403	CABLE (GAS VALVE)	65107360				●	●														
0404	VENTURI	65000268				●	●														
0407	FAN ASSY	64280528				●	●														
0410	GASKET	65000350				●	●														
0412	SILENCER	64200262				●	●														
0419	SET GAS PIPE	65107901				●	●														
0420	TEST POINT 1/8»	64211101				●	●														
0427	WASHER D:24-18-2	12013482				●	●														
0428	GASKET	64201334				●	●														



☉⇒	Description	Manf. Pt. N	Type	TALIA GREEN HP 25kw TALIA GREEN HP 35kw TALIA GREEN HP 55kw TALIA GREEN HP 85kw TALIA GREEN HP 100kw																	
				1	2	3	4	5	6	7	8	9	10	11	12	13	14	15	16	17	18
0500	FLOW GROUP																				
0501	PRESSURE RELIEF VALVE 3.5 BARS 1/2	64201662				•	•														
0502	LOW WATER PRESSURE SWITCH	995903		•	•	•	•														
0503	PIPE (C.H. FLOW) 45Kw	65107354		•																	
	PIPE (C.H. FLOW) 65KW	65107358			•																
	PIPE (C.H. FLOW)	65107894				•	•														
0504	CABLE	64201835		•	•	•	•														
0505	MANUAL AIR VENT	65107343		•	•	•	•														
0508	O RING D:39.45-1.788	65107364		•	•																
0575	CLIP FOR WATER SENSOR	64201655				•	•														
	CLIP	65107379		•	•																
0576	FLOW/RETURN SENSOR	64201656				•	•														
	TEMPERATURE PROBE + CLIP	990686		•	•																
0591	UNION	64201314		•	•	•	•														
0592	FLOW CONNECTION	64201661				•	•														
	FLOW CONNECTION	65107353		•	•																
0600	RETURN GROUP																				
0605	GUARNIZIONE D:44-32-2	12013460		•	•	•	•														
0618	PIPE (C.H. RETURN)	64200249				•	•														
	PIPE (C.H. RETURN)	65107355		•	•																
0619	PUMP	65107350		•	•																
0620	PIPE (C.H. RETURN)	64201660				•	•														
	PIPE (C.H. RETURN)	65107356		•	•																



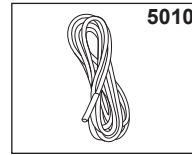
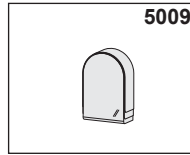
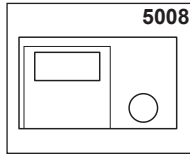
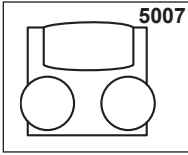
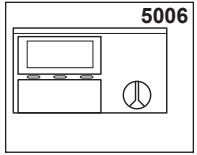
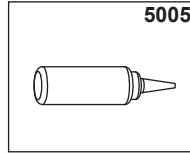
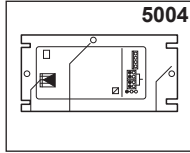
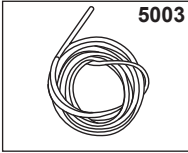
☉⇒	Description	Manf. Pt. N	Type	TALIA GREEN HP 25kw TALIA GREEN HP 35kw TALIA GREEN HP 55kw TALIA GREEN HP 100kw																	
				1	2	3	4	5	6	7	8	9	10	11	12	13	14	15	16	17	18
0700	ELECTRICAL BOX																				
0701	PRESSURE GAUGE	65107386		•	•	•	•														
0702	EARTH WIRE	65107388		•	•	•	•														
0703	CABLE CLAMP	571562		•	•	•	•														
0704	PUSH	65104228		•	•	•	•														
0705	P.C.B. (MAIN)	65107391		•	•	•	•														
0706	PRINTED CIRCUIT BOARD (DISPLAY)	60000760-01		•	•	•	•														
0707	DISPLAY WIRING	60000746		•	•	•	•														
0708	TRANSFORMER	64200565		•	•	•	•														
0709	PUSH BUTTON	60000978		•	•	•	•														
0714	FEEDER 240V	60000542		•	•	•	•														
0715	TAPPING SCREW TCBL D:4 L:10	61020509		•	•	•	•														
0718	KNOB	60000762		•	•	•	•														
0719	CABLE CLAMP	65103377		•	•	•	•														
0720	CONTROL PANEL COVER (REAR)	65104293		•	•	•	•														
0721	CONTROL PANEL	65104300		•	•	•	•														
0722	PUMP 2V CABLE 5M	65104520		•	•	•	•														
	HIGH VOLTAGE WIRING	65107387		•																	
	CABLE (TEMPERATURE PROBE)	65107389		•	•	•	•														
	HEAT SENSOR CABLE	65107390		•	•	•	•														
	HIGH VOLTAGE WIRING	65107392		•	•	•	•														
0723	PUMP CABLE	64201659		•	•	•	•														
0725	ROOM THERMOSTAT CABLE	60001253		•	•	•	•														
0726	BUTTON (RESET)	60000806		•	•	•	•														
0727	INSPECTION COVER	65104294		•	•	•	•														
0728	EARTH CABLE (SPARK GENERATOR)	65107361		•	•	•	•														
0729	RIGHT HAND DOOR	60000759		•	•	•	•														
0730	LEFT HAND DOOR	60000761		•	•	•	•														
0731	PUSH BUTTON ON/OFF	60000809		•	•	•	•														
0737	BOILER THERMISTOR TEMP. SENSOR	60000454		•	•	•	•														
0738	FRONT CONTROL PANEL COMPLETE	60000805		•	•	•	•														
0739	IONIZATION ELECTRODE CABLE	64201657		•	•	•	•														
0740	ELECTRODE IGNITION CABLE	64201658		•	•	•	•														
0741	CABLE (GAS VALVE)	65107360		•	•	•	•														
0742	GASKET D:7	65105089		•	•	•	•														




☉⇒	Description	Manf. Pt. N	Type	<div style="display: flex; justify-content: space-between; align-items: center;"> <div style="transform: rotate(-45deg); font-size: small;"> TALIA GREEN HP 25kw TALIA GREEN HP 35kw TALIA GREEN HP 55kw TALIA GREEN HP 100kw </div> <div style="border: 1px solid black; padding: 2px;">31</div> </div>																	
				1	2	3	4	5	6	7	8	9	10	11	12	13	14	15	16	17	18
0900	JIG PLATE & PIPE FITTING																				
0901	MOTOR - THREE-WAY VALVE	64201671		•	•																
0902	GOVERNOR BODY	64201672		•	•																
0903	CLIP VJ-100B	64201673		•	•																
0906	TAP BUTTERFLY 3/4» F-F	64201664		•	•	•	•														
	TAP BUTTERFLY 3/4» M-F	64201665		•	•	•	•														
	TAP HAND LEVER 3/4» F-F	65107372		•	•	•	•														
0907	CONNECTION M/F 1»	64201679		•	•																
	CONNECTION F/F 1»	64201681		•	•																
0908	ELBOW CONNECTION 1» F	64201680		•	•																
0909	FLEXIBLE PIPE 1» L:600mm	64201678				•	•														
0911	CONNECTION F/F 3/4	64201682		•	•																
0916	GASKET 3/4	12038584		•	•	•	•														
0932	«SAFETY VALVE 1/2»» 3 BAR»	64211300		•	•																
0933	PUMP WILO RSG25/8-2 230V	64201666				•	•														
0934	THREE-WAY VALVE 1» 230V CALEFFI	64201847				•	•														
0951	CAP	65107370		•	•	•	•														
0954	FOOT	64200820		•	•	•	•														
0956	«GAS FILTER GFK40R10-6 1.1/2»»»	64280123		•	•	•	•														
0957	THERMOSTAT	65070579		•	•	•	•														
0958	PRESSURE SWITCH	65070587		•	•	•	•														
0959	PRESSURE GAUGE	65070582		•	•	•	•														
0961	TAP (1/2)	64211228		•	•	•	•														
0962	AUTO AIR VENT (SPIROTOP)	17013674		•	•	•	•														
0963	PROBE SHEATH 1/2 D:7.2 L:200mm	17006755		•	•	•	•														
0965	TAP	65107375		•	•	•	•														
0971	THERMOMETER	65107376		•	•	•	•														
0973	TAP HAND LEVER ADJUSTABLE 1» F-F	64201663		•	•	•	•														
	TAP HAND LEVER 1» F-F	65107371		•	•	•	•														
0975	THERMOMETER	65070588		•	•	•	•														
0977	PRESSURE RELIEF VALVE 3 BARS D:3/4	64211301		•	•	•	•														
0980	TAP	65070584		•	•	•	•														
0981	SHEAT (TERMOMETER)	65070580		•	•	•	•														
0982	GASKET D:62-46-2	64201292		•	•	•	•														
0983	SHEET GASKET D:120-70-3	64201425		•	•	•	•														
0984	SPRING	17006766		•	•	•	•														
0985	CONNECTION 1»	65107373		•	•	•	•														
0986	CONNECTION 3/4»	65107374		•	•	•	•														
0987	GUARNIZIONE D:44-32-2	12013460		•	•	•	•														
0988	GASKET D:100mm	12056800				•	•														
	GASKET D:110mm	65107377		•	•																
	GASKET D:160mm	65107378		•	•																
0990	SAFETY DEVICE 3/4	65070581		•	•	•	•														

5000

5001
Transf. gaz > B/P
Conv. gaz > LPG
Trasf. gas > GPL
Transf. gas > B/P
Unrustsatz > B/P



☺⇒	Description	Manf. Pt. N	Type																31		
				1	2	3	4	5	6	7	8	9	10	11	12	13	14	15	16	17	18

5000 ACCESSORIES				1	2	3	4	5	6	7	8	9	10	11	12	13	14	15	16	17	18
5001	CONVERSION KIT LPG	12077106					•														
	CONVERSION KIT LPG	12077117						•													
	CONVERSION KIT > LPG	64201566		•	•																
5003	HEAT SENSOR CYLINDER	65108306		•	•	•	•														
5004	PRINTED CIRCUIT BOARD (INTERFACE THW-KS)	65108307		•	•	•	•														
5005	STICK A1312	64200600		•	•	•	•														
5006	REMOTE CONTROL	65108308		•	•	•	•														
5007	ROOM THERMOSTAT	65108309		•	•	•	•														
5008	TERMOREGOLATION MAIN CONTROL	65108310		•	•	•	•														
5009	OUTSIDE HEAT SENSOR	65109110		•	•	•	•														
5010	HEAT SENSOR	65104529		•	•	•	•														

LIST OF THE ABBREVIATIONS

HW	: Hot water.
CW	: Cold water.
C	: Ceramic resistance (normal heating).
Ca	: Ceramic resistance (accelerated heating)
TP	: Immersion heater.
1F	: With fittings.
2F	: Without fittings.
3F	: With fittings and another outlet connection.
AMI	: With mixing valve.
SMI	: Without mixing valve.
PUISS	: Power of th appliance.
PN	: Appliance with normal pression.
LP	: Appliance with low pression.
PV	: Appliance with variable power.
PF	: Appliance with fixed power.

IDENTIFICATION PLATE

SERIAL NUMBER

10 Characters :

04 05 125 011
 Year of manufacture Manufacturing day Sequential number

11 Characters :

1 95 065004 - 31
 Month of manufacture : Technical number of the appliance
 from 1 to 9 → Jan. to Sep.,
 O → Oct., N → Nov.,
 D → Dec. Sequential number
 Year of manufacture

19 Characters :

08 05 0013199 900640031
 Year of manufacture Product reference
 Month of manufacture Sequential number

20 Characters :

3675007 XX 2 07 070 00315
 Product reference Sequential number
 Millenium of manufacture Manufacturing day
 Year of manufacture

21 Characters :

3675007 XX 07 070 0000315
 Product reference Sequential number
 Year of manufacture Manufacturing day

The indications mentioned on the prices, commercial or technical literature and the scheme are written for your guidance and are available at a given time. The CONSTRUCTOR retains the power to modify the presentation, the form, the size, the conception or the material of the products.